

UWT

LEVEL. UP TO THE MAX.



6
YEARS
GUARANTEE

APPROVED
QUALITY

Vibranivo® 7000

VIBRATION LEVEL SWITCH - LIQUID FORK

The compact and robust solution for safe level monitoring for all types of liquids.
Versatile, extensive configuration options, corrosion-resistant and maintenance-free.
Can be used in hygiene-sensitive production environments.

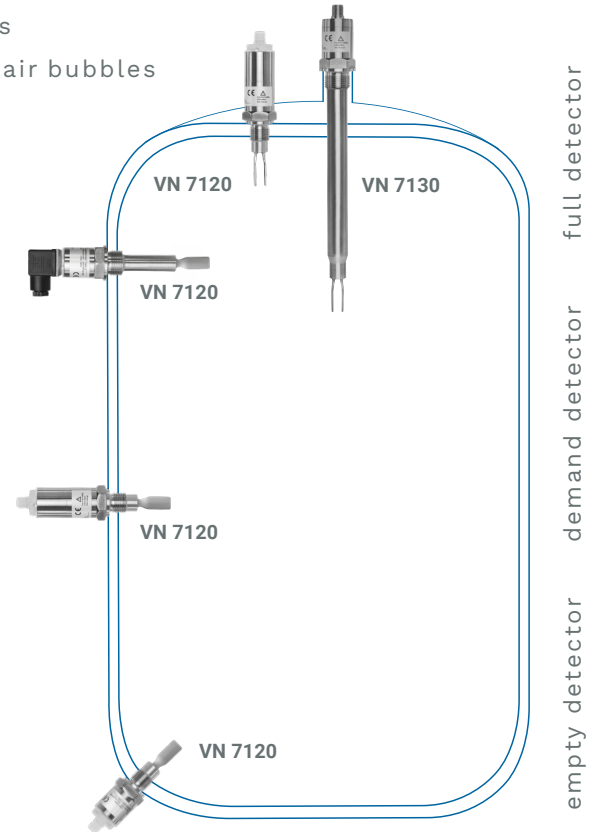


Vibranivo® 7000



- Ultra compact design with 316L stainless steel enclosure (IP69, type 6P)
- Measures most applications without need to adjust sensitivity setting
- Unique, highly visible LED signal with selectable colors
- Insensitive to material buildup, flow, turbulences and air bubbles

VN 7120 Compact version
Short version with 64 mm extension.
Installation even where space is limited
(e.g. down-pipes).



VN 7130 Pipe extension
Version with variable pipe extension up to 4000 mm.



TECHNICAL DATA

Housing material	Stainless steel (1.4404)
Material wetted parts	Stainless steel (1.4404)
Surface quality R_a	3.2 μm (< 0.8 μm)
Protection rating	IP69, type 6P (stainless steel lid - 1.4404, M12) IP68, type 4X (opaque plastic lid - PC, M12) IP67, type 4X (opaque plastic lid - PC, valve)
Process temperature	Compact version: -40 °C .. +100 °C -40 °F .. +212 °F with temperature extended shaft: -40 °C .. +150 °C -40 °F .. +302 °F
CIP / SIP	max. 150 °C 302 °F, duration continuous
Process pressure	-1 .. +40 barg -14.5 .. +580 psig
Sensitivity	Density > 0.5 g/cm ³ 0.03 lb/ft ³
Process connection	\geq G 1/2" NPT 1/2" \geq G 3/4" M24 x 1.5 DIN 13 for hygienic adapter \geq Triclamp DN25 (1"), > Flange DN25
Hygienic adapters	Triclamp, Flush welding socket
Electrical connection	M12 plug, Valve plug
Supply voltage/ Signal output	3-wire PNP: 10.8 .. 30V DC 3-/4-wire (IO-Link, PNP, NPN, Push/Pull): 10.8 .. 30V DC 2-wire (without contact): 19 .. 230V AC/DC
Certificates/Approvals	CE, cFMus, EHEDG, WHG